

# Multi-angle Milling Head

Model: V-7



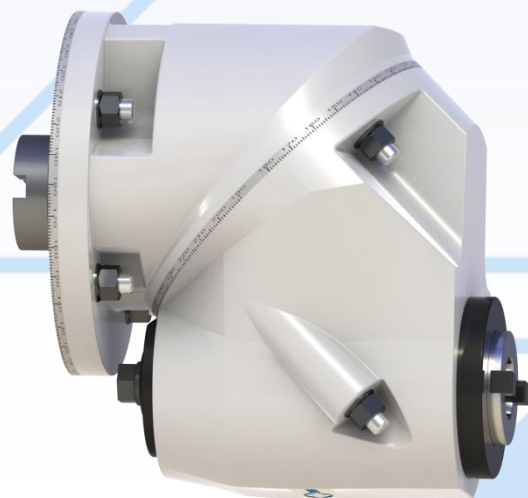
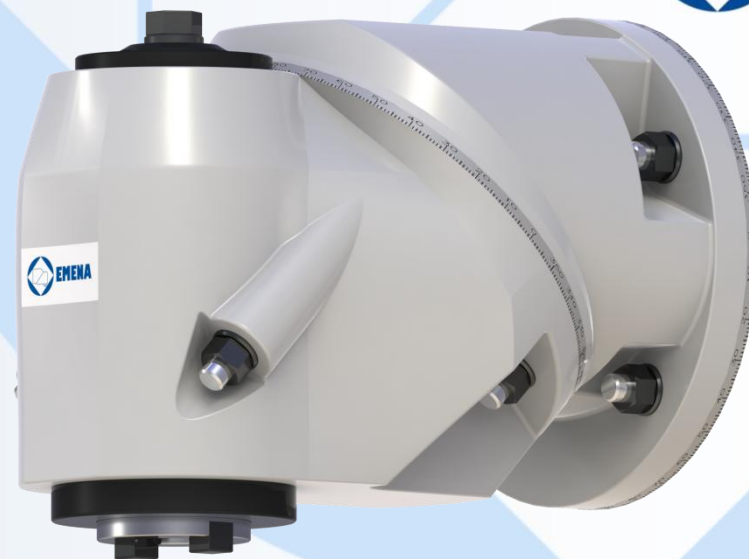
## Technical specifications:

Maximum transmissible power	44,1 kW
Maximum transmissible torque	3.180 Nm
Maximum speed	2.000 rpm
Bodies rotation	Manual
Tool clamping system	Manual by drawbar
Tool taper	ISO 50 - DIN 2080 (or other)
Drawbar	M-24
Bearings lubrication	Manual greasing
Gears lubrication	Manual greasing

## Optionally:

External tool cooling.

Possibility to fit to different machines on their bases/couplings.



## General Dimensions

