

Vertical Milling Head

Model: V-790



Technical specifications:

Maximum transmissible power	80,8 kW
Maximum transmissible torque	7.000 Nm
Maximum speed	1.000 rpm
Bodies rotation	Manual
Tool clamping system	Hydromechanic
Tool taper	ISO 50 - DIN 69871 (or other)
Pull-stud	DIN 69872 (or other)
Bearings lubrication	Manual greasing
Gears lubrication	Manual greasing

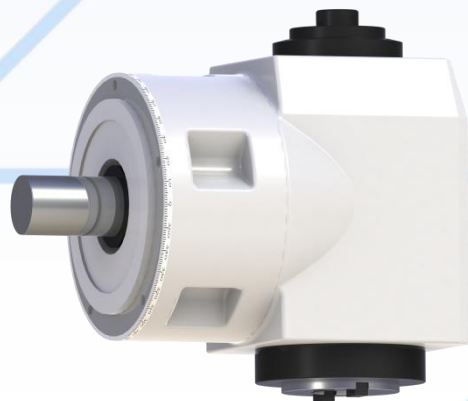
Optionally:

External tool cooling.

Internal tool cooling, form AD, with rotary joint.

Manual tool clamping by drawbar.

Possibility to fit to different machines on their bases/couplings.



General Dimensions

