

Multi-angle Milling Head

Model: V-4



Technical specifications:

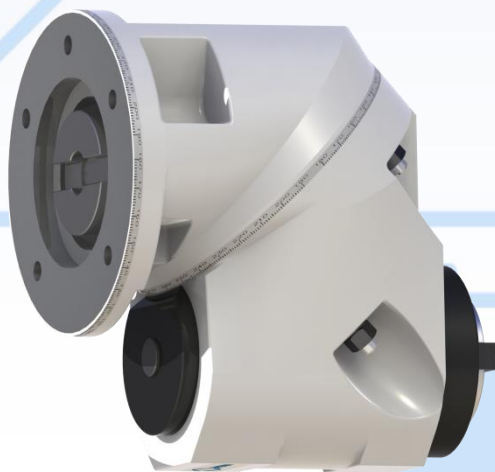
Maximum transmissible power	22 kW
Maximum transmissible torque	1.000 Nm
Maximum speed	3.000 rpm
Bodies rotation	Manual
Tool clamping system	Manual by drawbar
Tool taper	ISO 50 - DIN 2080 (or other)
Drawbar	M-24
Bearings lubrication	Manual greasing
Gears lubrication	Manual greasing

Optionally:

External tool cooling.

Maximum speed 4.000 rpm (by bearings cooling).

Possibility to fit to different machines on their bases/couplings.



General Dimensions

