

Multi-angle Milling Head

Model: V-3 ISO 40



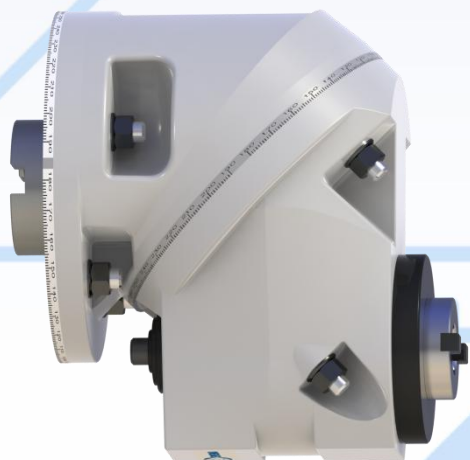
Technical specifications:

Maximum transmissible power	14,7 kW
Maximum transmissible torque	780 Nm
Maximum speed	1.800 rpm
Bodies rotation	Manual
Tool clamping system	Manual by drawbar
Tool taper	ISO 40 - DIN 2080 (or other)
Drawbar	M-16
Bearings lubrication	Manual greasing
Gears lubrication	Manual greasing

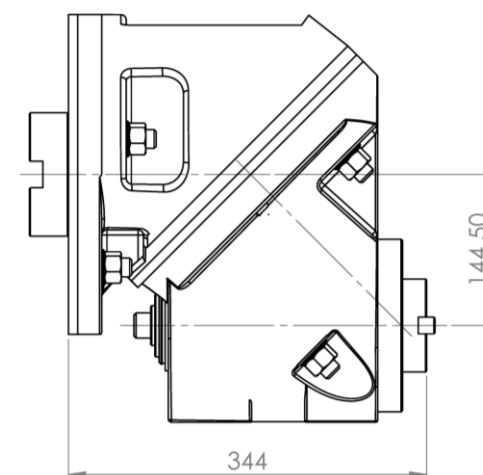
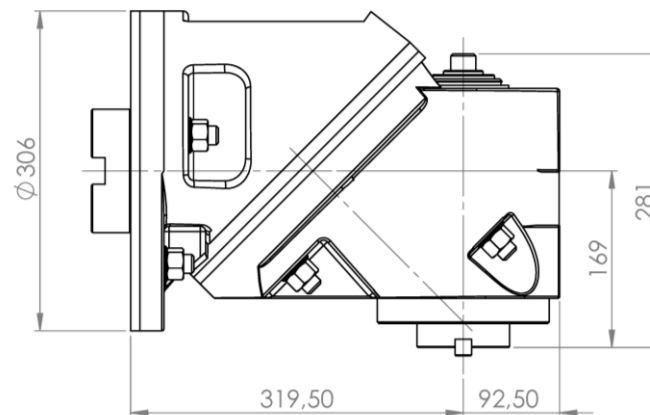
Optionally:

External tool cooling.

Possibility to fit to different machines on their bases/couplings.



General Dimensions



Multi-angle Milling Head

Model: V-3 ISO 50



Technical specifications:

Maximum transmissible power	14,7 kW
Maximum transmissible torque	780 Nm
Maximum speed	1.800 rpm
Bodies rotation	Manual
Tool clamping system	Manual by drawbar
Tool taper	ISO 50 - DIN 2080 (or other)
Drawbar	M-24
Bearings lubrication	Manual greasing
Gears lubrication	Manual greasing

Optionally:

External tool cooling.

Possibility to fit to different machines on their bases/couplings.



General Dimensions

