

Multi-angle Milling Head

Model: V-0

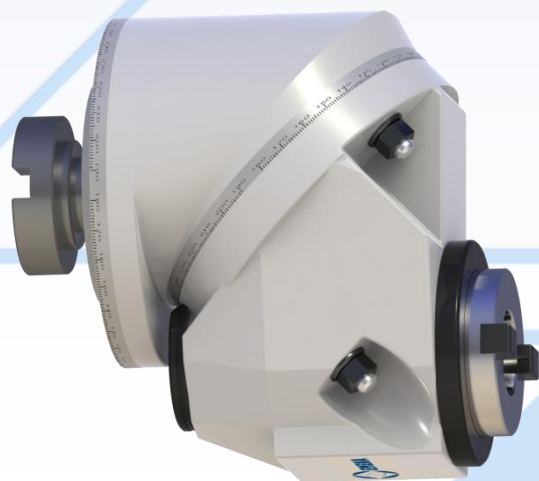
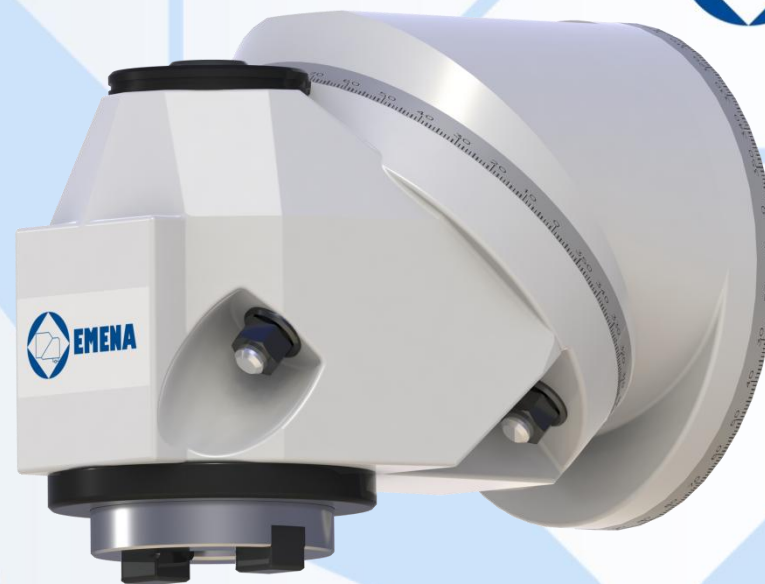


Technical specifications:

Maximum transmissible power	3,7 kW
Maximum transmissible torque	200 Nm
Maximum speed	1.800 rpm
Bodies rotation	Manual
Tool clamping system	Manual by drawbar
Tool taper	ISO 40 - DIN 2080 (or other)
Drawbar	M-16
Bearings lubrication	Manual greasing
Gears lubrication	Manual greasing

Optionally:

Possibility to fit to different machines on their bases/couplings.



General Dimensions

