

Multi-Angle Auto-Indexing Milling Head

Model: VGCI-1000

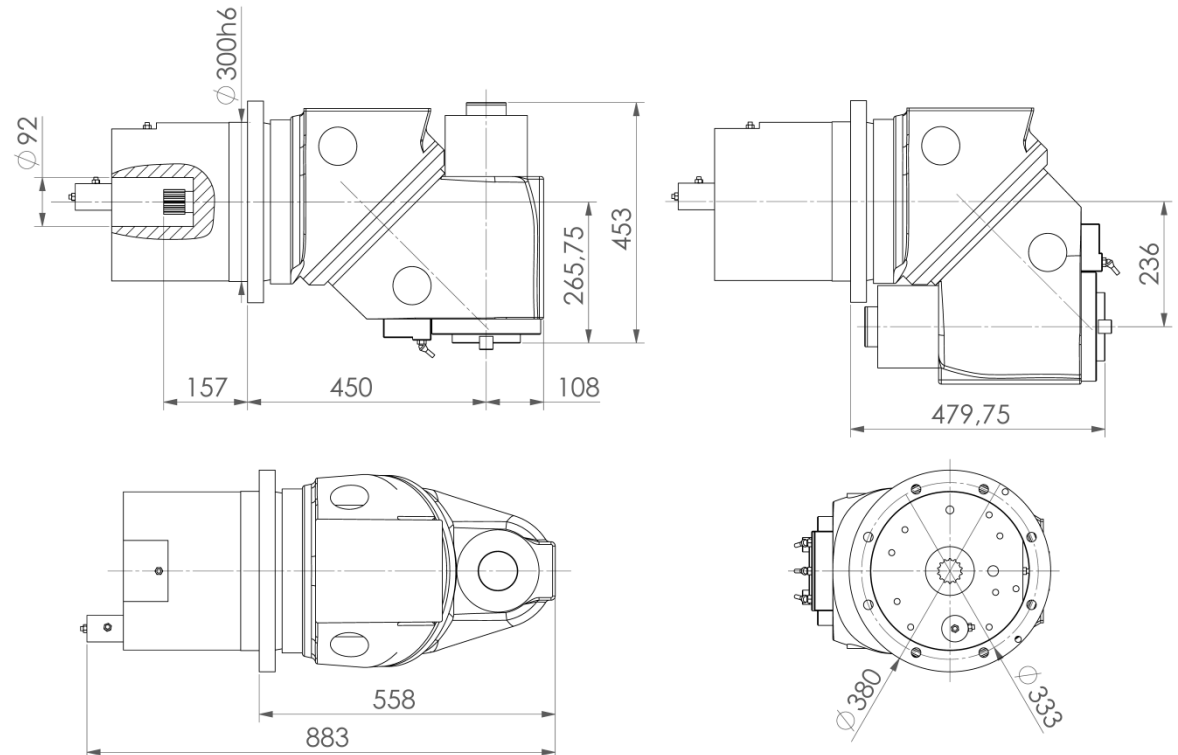


Technical Data:

Maximum transmissible power	25,7 kW
Maximum transmissible torque	1.370 Nm
Maximum speed	3.000 rpm
Indexing of the axis	A axis: Every 2,5° (by Hirth coupling) C axis: Every 2,5° (by Hirth coupling)
Axis swivel range	A axis: Unlimited C axis: ±180°
Bodies clamping force	A axis 8.000 kg C axis 10.000 kg
Tool clamping force	14,7 kN (hydromechanic)
Tool taper	ISO 50 - DIN 69871 (or others)
Pull-stud	DIN 69872 (or others)
Bevel gears	Klingelnberg type, ground
Spindle's front seal	Labyrinth seal
External tool cooling	Yes, 3 coolant pipes
Taper air jet	Yes
Bearings lubrication	Greased for life
Bevel gears lubrication	Ready for automatic greasing
Weight	450 kg



General Dimensions



Optionally:

Internal tool cooling, form AD, with rotary joint.

Temperature sensor.

Maximum speed S1/S6: 4.000/5.000 rpm (by bearings cooling).

Possibility to fit to different machines, including machines with pick-up interface.